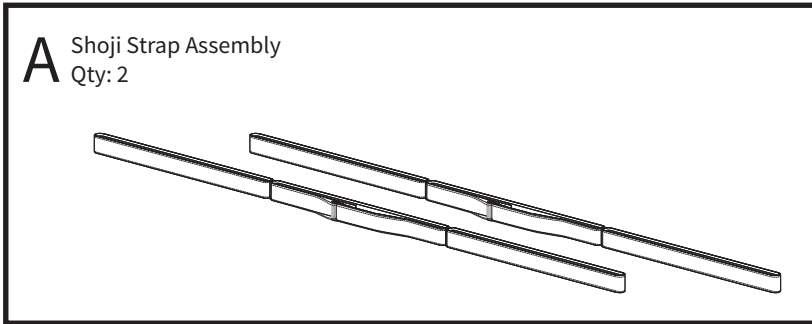


# Assembly & Installation Instructions: Tranquility Shoji Strap Kit, TRQ-MNT-SSCREEN3PNL-XXXX

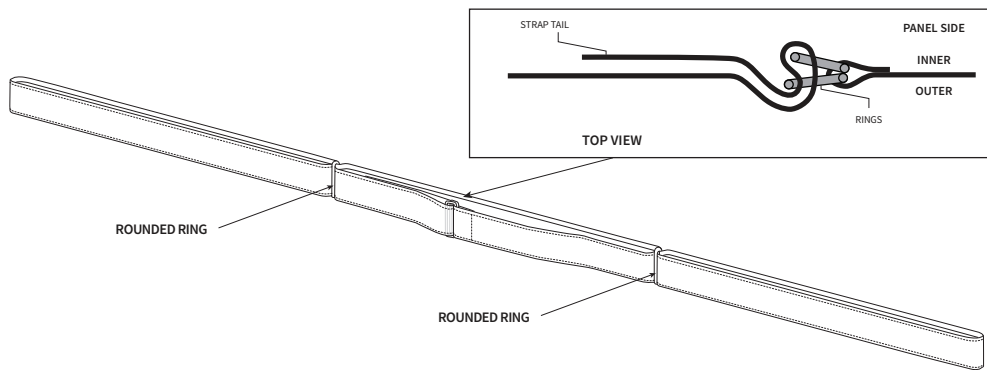
## Parts Included



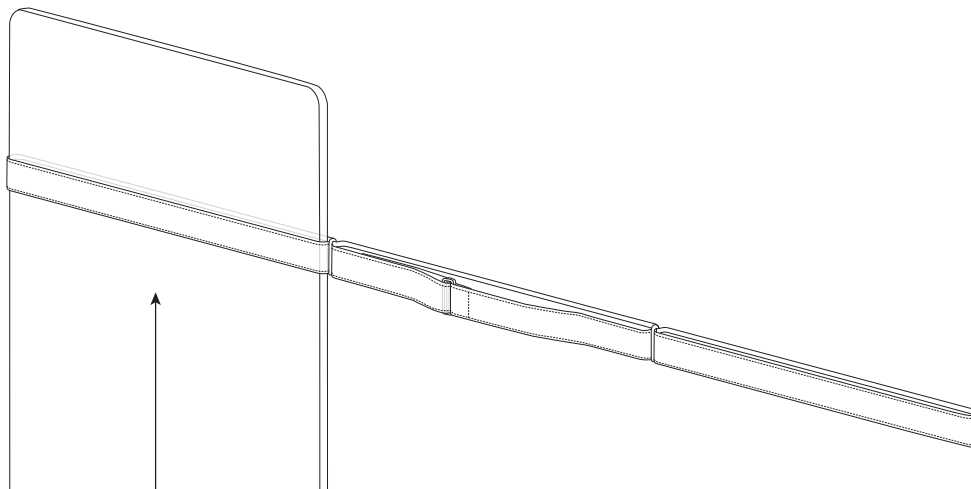
## Required, Sold Separately

Three Tranquility Panels

## 1 Loosen Strap Loops for Attachment and Adjust Rounded Rings

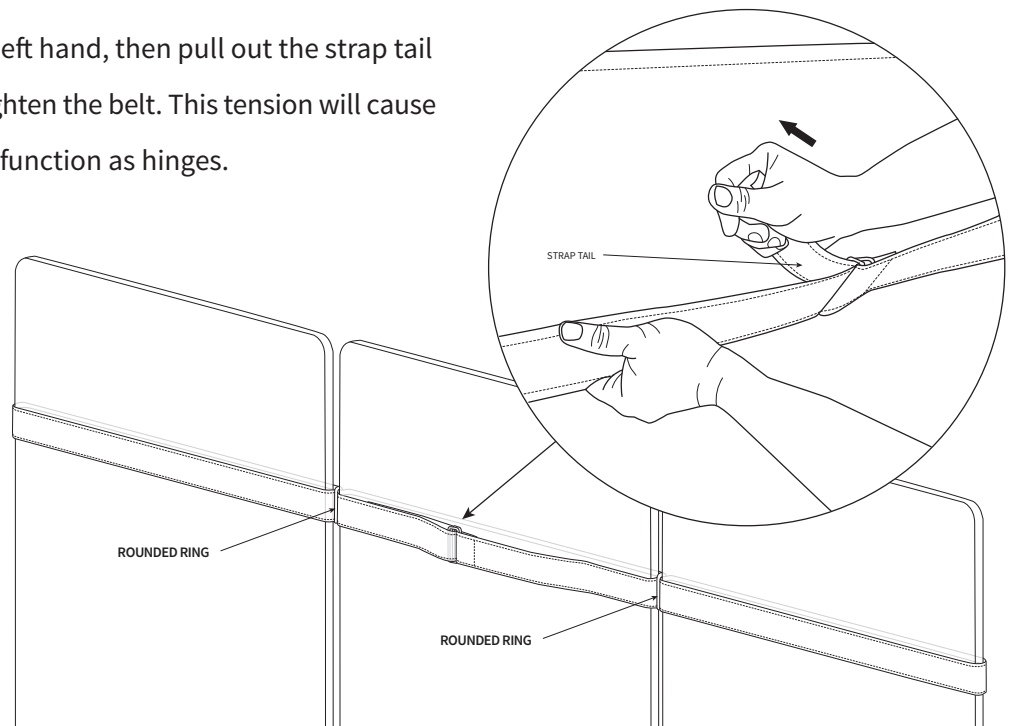


## 2 Insert Tranquility Panels Through Loops



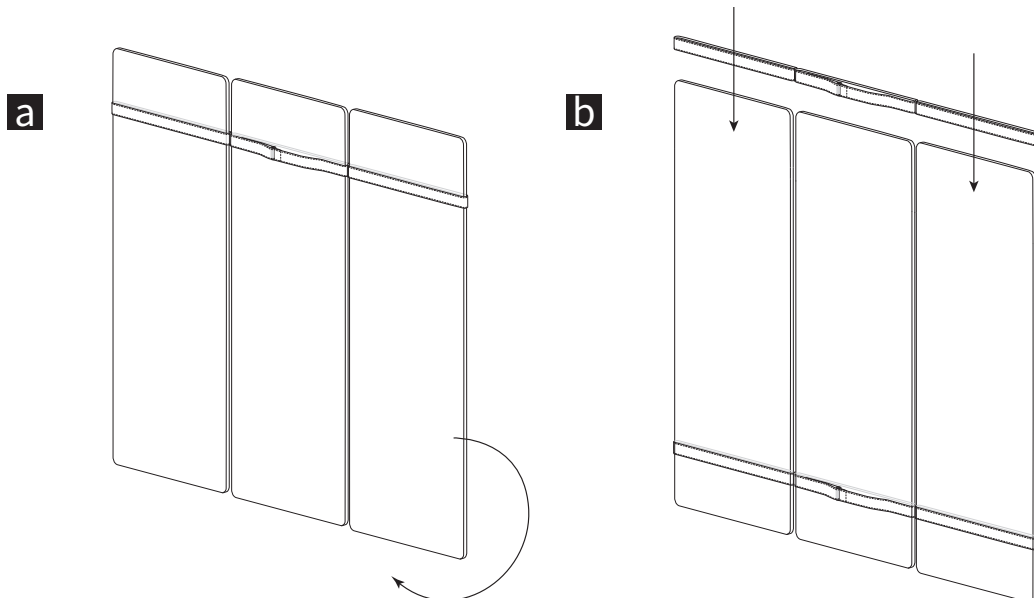
### 3 Tighten Strap

Hold the strap with your left hand, then pull out the strap tail with your right hand to tighten the belt. This tension will cause the two rounded rings to function as hinges.



### 4 Apply the Second Strap

- a Flip the panels to apply other strap.
- b Insert the panels through loops then tighten strap as above.



### ✓ Cleaning Instructions

Vacuum clean regularly. Professional dry cleaning is recommended for treating marks or stains.

For self treatment, treat stains immediately by wiping clean with pH neutral soap and a damp cloth.