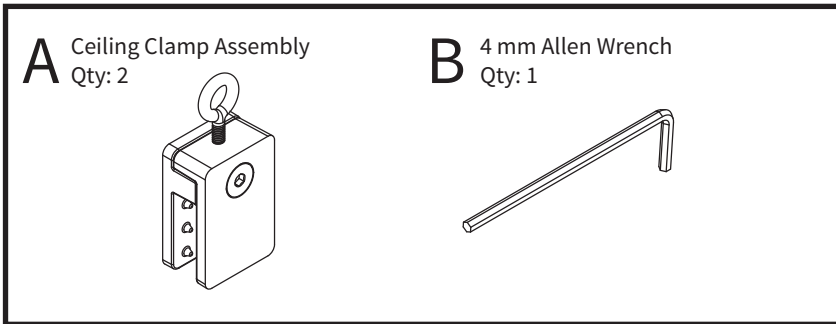


# Assembly & Installation Instructions: Tranquility Panel Ceiling Mounting Kit, TRQ-MNT-CEILING1PNL-BA

## Parts Included



## Required, Sold Separately

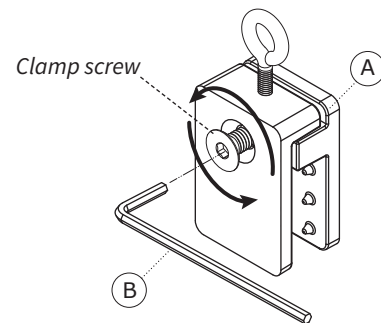
Tranquility Panel(s)  
Hardware to mount to ceiling (not supplied by Workrite)

## Tools Required

4 mm Allen Wrench included  
Tools to mount to ceiling

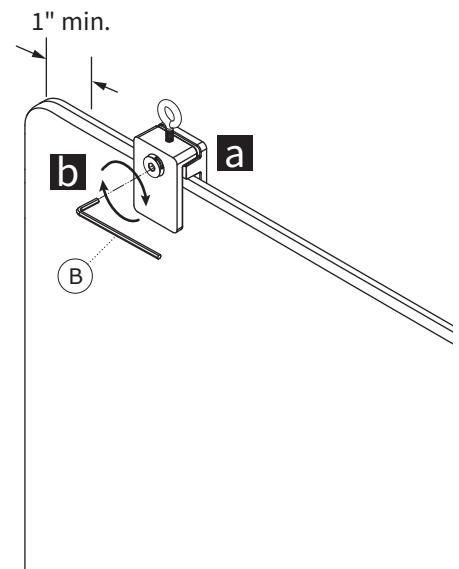
### **1** Loosen Clamp for Attachment

Loosen the Clamp Screw with included 4 mm Allen Wrench (B) to allow Ceiling Clamp (A) to fit over the Tranquility Panel.



### **2** Attach the Ceiling Clamp to Tranquility Panel

- a** Position Clamps at least one inch from edge of Tranquility Panel and evenly from the sides so the Panel is balanced when hung. Note the ceiling mounting locations as well when positioning Clamps to have cabling hanging directly down from the ceiling.
- b** Tighten Clamp Screw using the included 4 mm Allen Wrench (B) until the two back sides of the clamp meet and the clamp is securely fastened to Panel.



---

### 3 Hang Panel From Ceiling

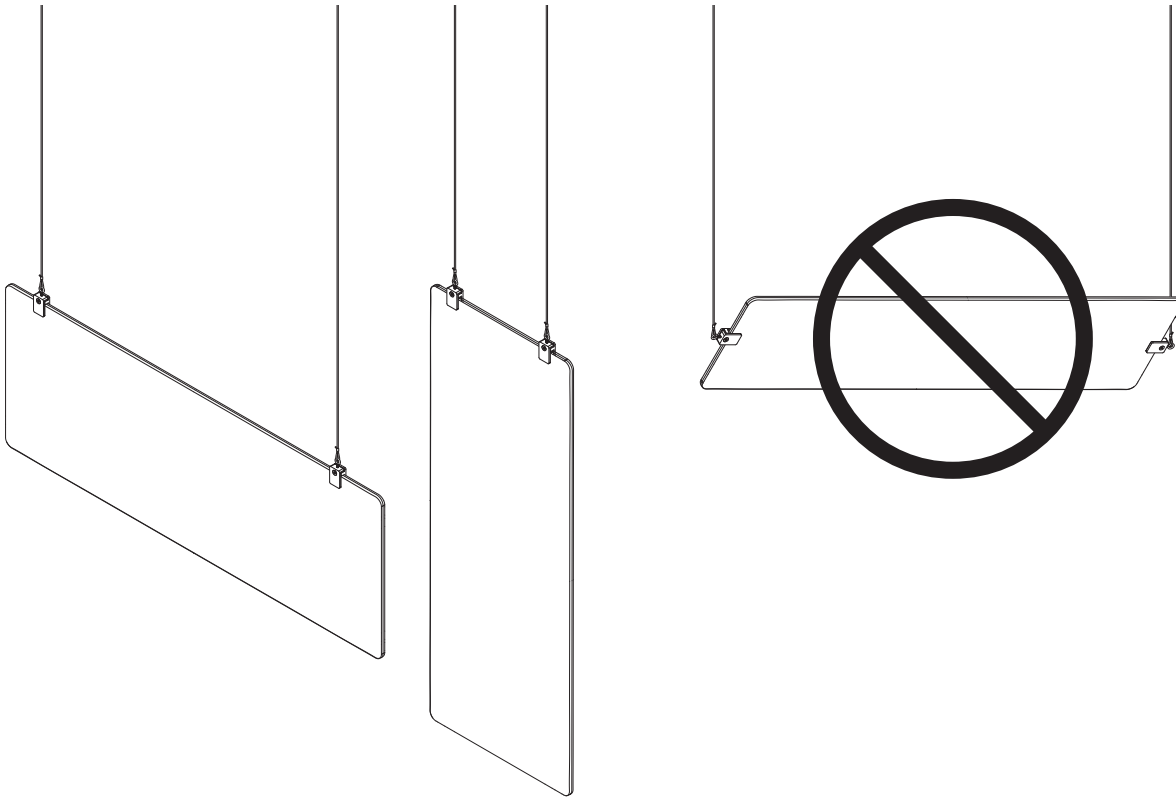
It is the installers responsibility to hang the Tranquility panels in a safe manner. Cabling, attachments and poisoning should all be done with safety as a primary concern.

Two Ceiling Clamp assemblies required for each panel hung.

Cables must hand vertically from ceiling to Panel.

Clamps are designed to support weight of panels only. Do not add any additional weight to panels hung from ceiling.

Do not hang panels parallel to ceiling. Panels may sag over time if hung in this manner.



---

### ✓ Cleaning Instructions

Vacuum clean regularly. Professional dry cleaning is recommended for treating marks or stains.

For self treatment, treat stains immediately by wiping clean with pH neutral soap and a damp cloth.