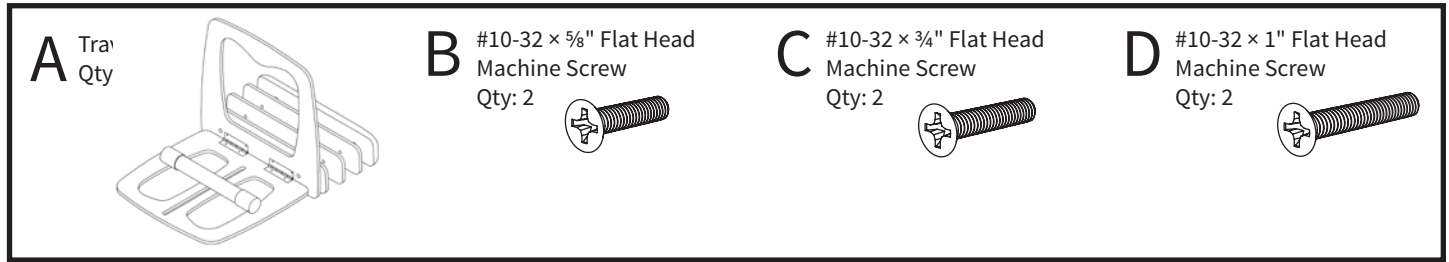


Included



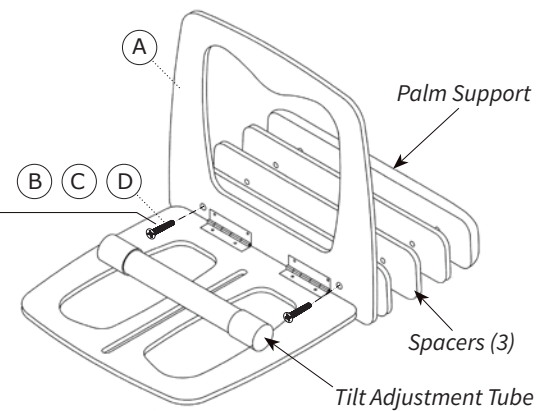
Note: The TravelRite ships fully assembled.

1 Set Palm Support Height

Palm support height can be set at four different heights by adding or removing spacers as needed.

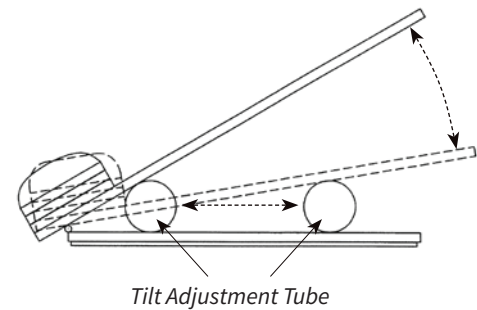
- 3/4" height with no spacers using #10-32 x 5/8" Screws (B).
- 1" height with one spacer using #10-32 x 3/4" Screws (C).
- 1 1/4" height with two spacers using #10-32 x 1" Screws (D).
- 1 1/2" height with three spacers using #10-32 x 1" Screws (D).

Palm Support is shipped with all three spacers in place at the 1 1/2" height.



2 Adjust Tilt

Slide the acrylic Tilt Adjustment Tube forward and back to achieve the desired tilt.



3 Close & Lock

- a** Slide the Tilt Adjustment Tube to the center of the Glide Slot and rotate until it will slip through the opening in the top surface (approx. 45°).
- b** Pull up on the tube and slide until it rests against the Palm Support to lock closed.

