

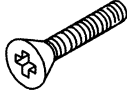
CHECK TO SEE THAT ALL HARDWARE HAS BEEN INCLUDED

AA) #10-32 x 5/8" MACHINE SCREW



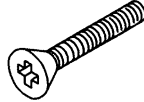
QTY. 2

BB) #10-32 x 3/4" MACHINE SCREW



QTY. 2

CC) #10-32 x 1" MACHINE SCREW



QTY. 2

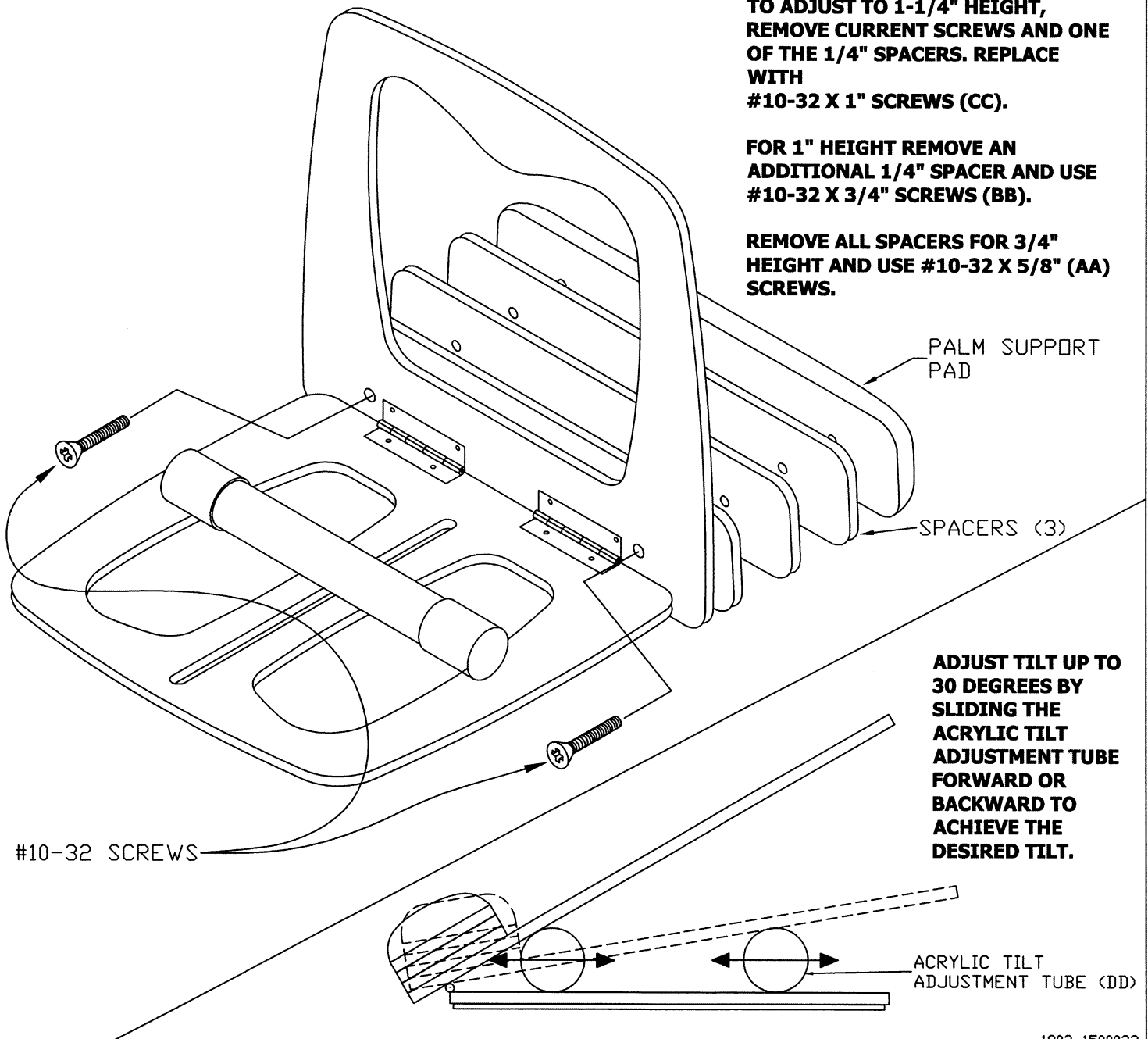
PALM SUPPORT PAD HEIGHT CAN BE ADJUSTED FROM 1-1/2", 1-1/4", 1" AND 3/4". SIMPLY REMOVE PAD SCREWS AND REPLACE WITH ADDITIONAL SCREWS INCLUDED.

YOUR LAPTOP HOLDER COMES ASSEMBLED WITH A PALM SUPPORT PAD HEIGHT OF 1-1/2".

TO ADJUST TO 1-1/4" HEIGHT, REMOVE CURRENT SCREWS AND ONE OF THE 1/4" SPACERS. REPLACE WITH #10-32 X 1" SCREWS (CC).

FOR 1" HEIGHT REMOVE AN ADDITIONAL 1/4" SPACER AND USE #10-32 X 3/4" SCREWS (BB).

REMOVE ALL SPACERS FOR 3/4" HEIGHT AND USE #10-32 X 5/8" (AA) SCREWS.



#10-32 SCREWS

PALM SUPPORT PAD

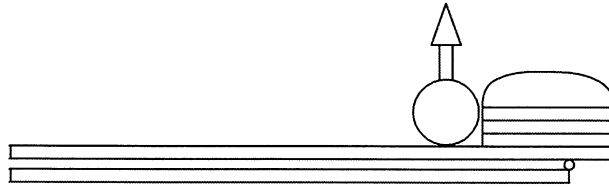
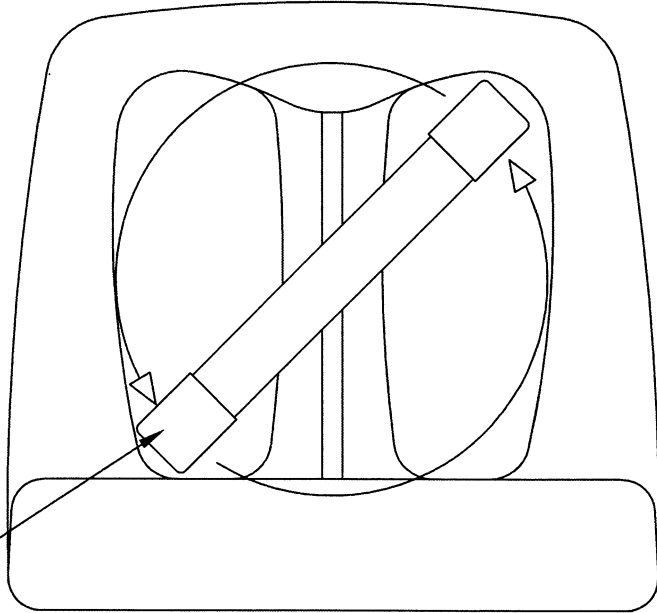
SPACERS (3)

ADJUST TILT UP TO 30 DEGREES BY SLIDING THE ACRYLIC TILT ADJUSTMENT TUBE FORWARD OR BACKWARD TO ACHIEVE THE DESIRED TILT.

ACRYLIC TILT ADJUSTMENT TUBE (DD)

TO CLOSE AND LOCK THE TRAVELRITE, SLIDE THE TILT ADJUSTMENT TUBE TO THE CENTER OF THE GUIDE SLOT. ROTATE THE TUBE SO IT FITS THROUGH THE OPENING IN THE TOP SURFACE. SEE EXAMPLE TO RIGHT.

ROTATE TUBE TO ALIGN WITH OPENING. CLOSE TOP.



PULL UP ON THE TUBE AND SLIDE IT AGAINST THE PALM SUPPORT PAD.

