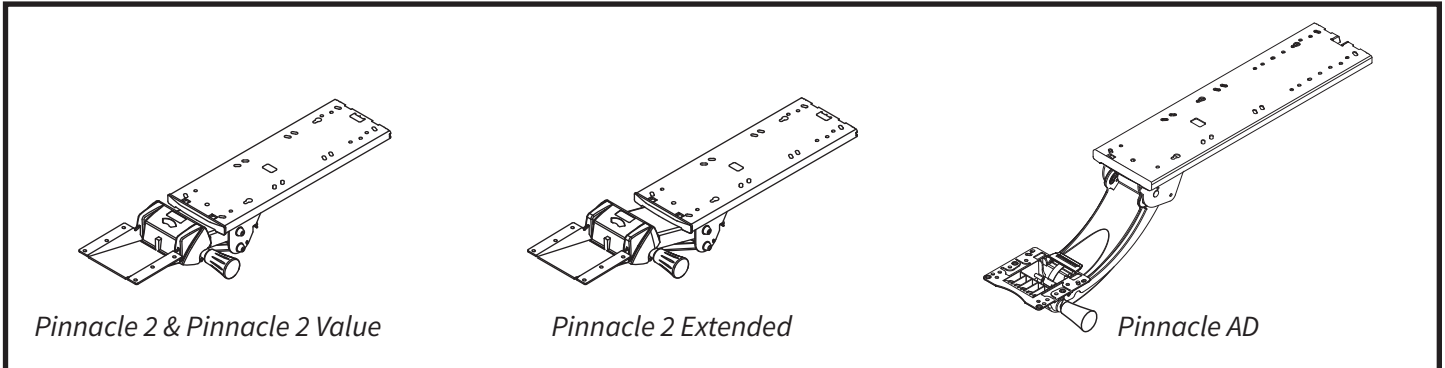


# User Guide, Pinnacle Arms: Pinnacle 2, Pinnacle 2 Value, Pinnacle Extended, Pinnacle AD

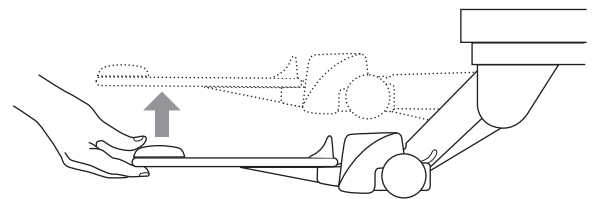
Guide for these products



**Note:** Mount your adjustable keyboard arm to your worksurface and your platform to the arm using the instructions that came with your hardware.

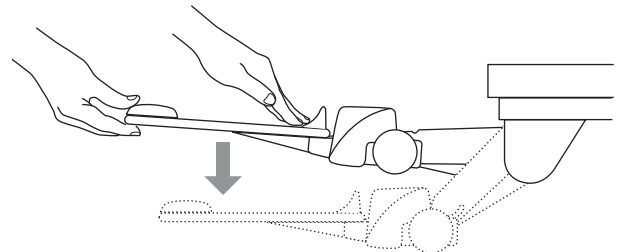
## 1 Raising the Platform

Lift the front edge of the platform and raise to your desired height. Lower the front edge of the platform to lock in position.



## 2 Lowering the Platform

Lift the front edge of the platform and press down on the back edge of the platform to lower to your desired height, Lower the front edge of the platform to lock in position.

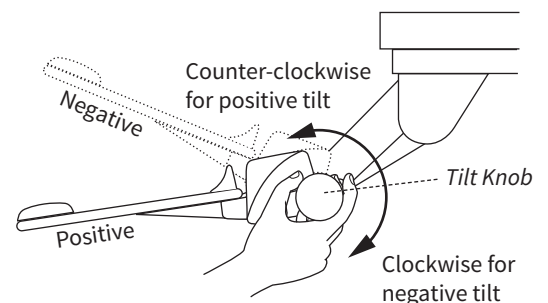


## 3 Adjusting Platform Tilt

To adjust platform toward negative tilt, turn the Tilt Knob “clockwise” until you reach a comfortable tilt angle.

To adjust platform toward positive tilt, turn the knob “counter-clockwise” until you reach a comfortable tilt angle.

**Note:** The tilt gauge located on top of the keyboard arm indicates actual tilt angle. A platform tilt angle between 0° to - 6° is often suggested as a good base for proper wrist position.

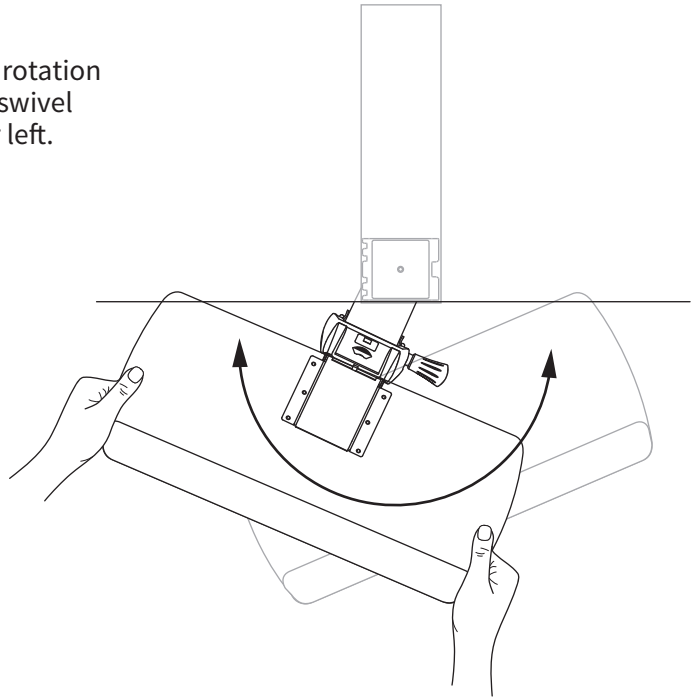


Tilt gauge

---

## 4 Arm Swivel at Track

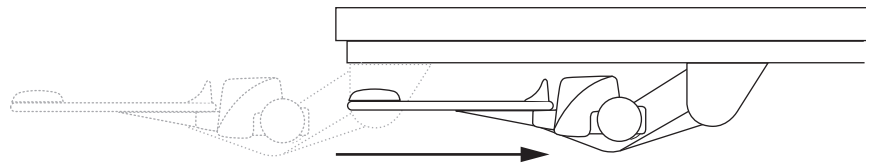
All Workrite adjustable keyboard arms include a swivel rotation at the back of the arm at the keyboard track. To adjust swivel rotation, hold platform at both ends and rotate right or left.



---

## 5 How to Store

Lower the keyboard platform below the worksurface and track. Push the platform to store under worksurface.



---

## 6 Consult the User Guide for your Keyboard Platform

Go to [www.workriteergo.com/instructions](http://www.workriteergo.com/instructions) to find your Keyboard Platform User Guide for instructions on how to set up this product for ideal ergonomic benefit.