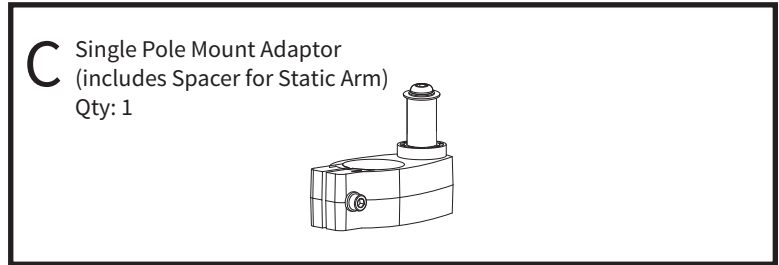
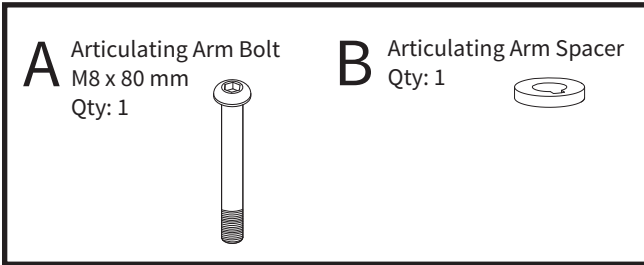
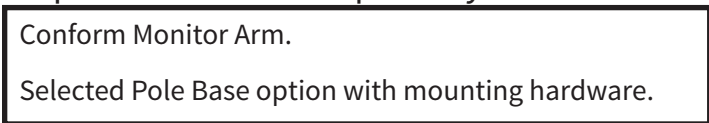


Assembly & Installation Instructions: Single Pole Mount Adaptor CONF-ADPT-SPM-S

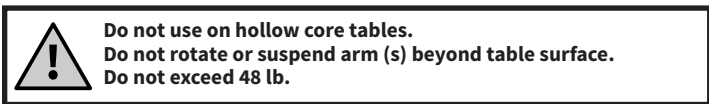
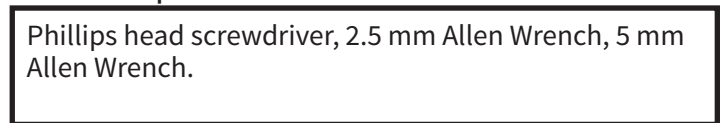
Parts Included



Required Parts Sold Separately

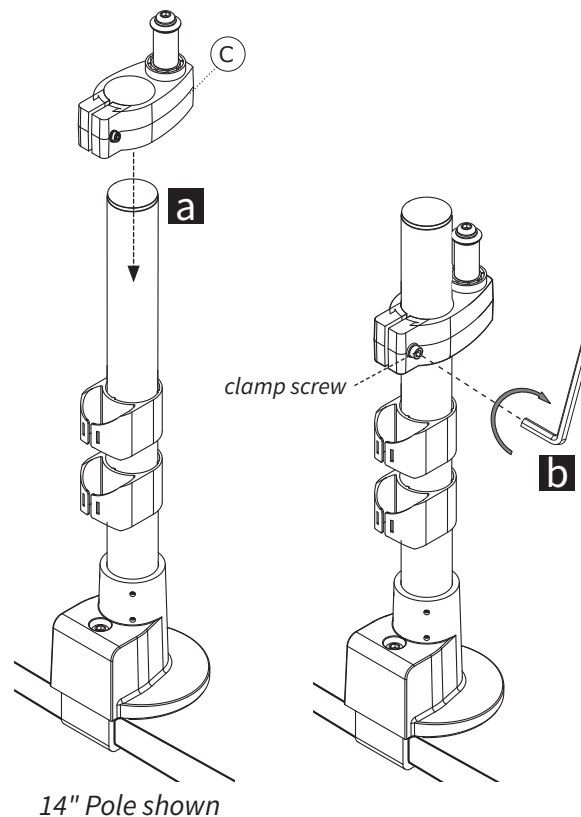


Tools Required



1 Attach the Single Pole Mount Adaptor to Selected Pole Option

- a** Place the Single Pole Mount Adaptor on selected pole option, at your desired monitor height.
- b** Tighten the clamp screw on the Single Pole Mount Adaptor (C) with 5 mm Allen Wrench, included with base, to secure Adaptor to Pole.



2 Attach selected Conform Arms to the Single Pole Mount Adaptor.

- a** Remove Bolt and Washers from Pin Assembly.
- b** Choose the appropriate Spacer for the selected Arm Assembly then place it onto pin.
- c** Place Conform Monitor Arm on Pin, resting on Spacer.
- d** Assemble the Bolt and Washers as shown (M8 x 72 mm Bolt for Static Arm, M8 x 80 mm Bolt for Articulating Arm).
- e** Tighten with 5 mm Allen Wrench included with base. Be sure the arm is tight but rotates freely.
- f** Tighten the pre-installed set screw with 2.5 mm Allen Wrench, included with base, to lock in place.
- g** Snap on the Pivot Cover cap for your arm.

