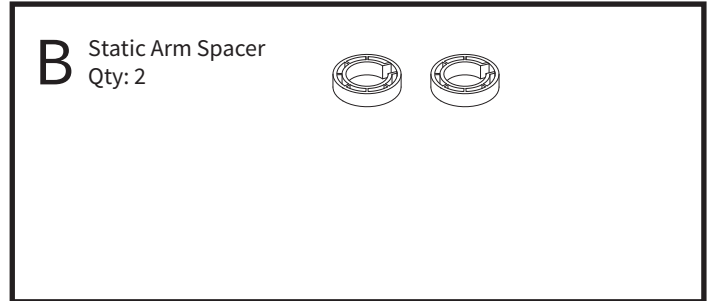
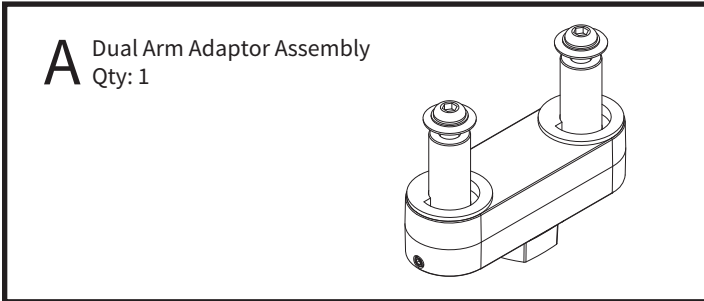
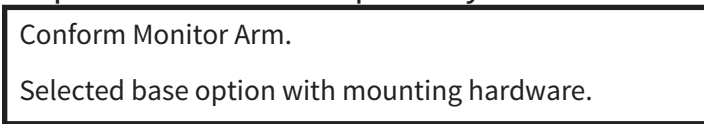


# Assembly & Installation Instructions: Dual Arm Adaptor CONF-ADPT-DA-S

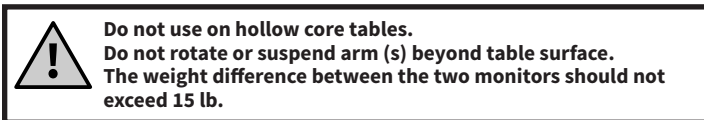
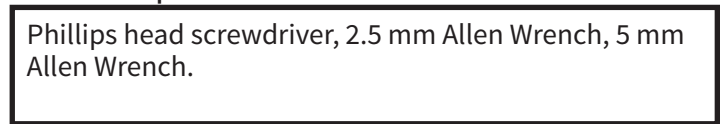
## Parts Included



## Required Parts Sold Separately

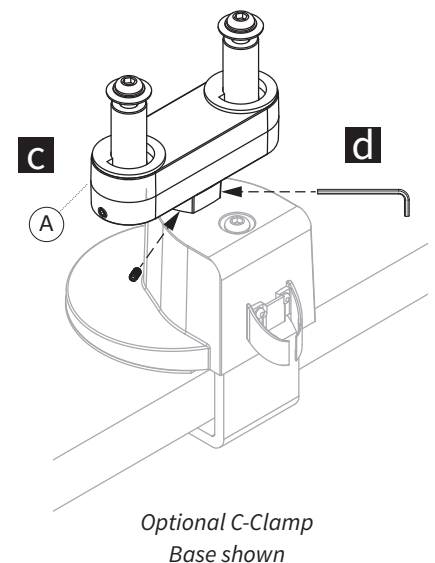
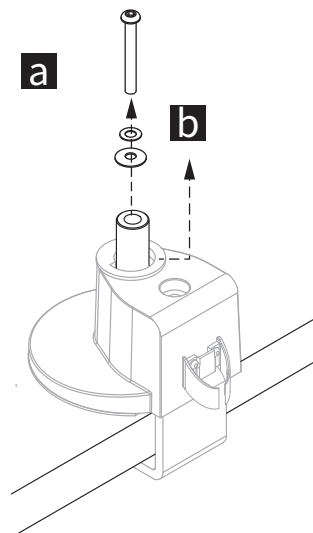


## Tools Required



## 1 Attach Dual Arm Adaptor to selected base option

- a** Remove the Bolt and Washers from base (if not already removed) and set aside.
- b** Remove the Pivot Limiter.
- c** Place Dual Arm Adaptor Assembly (A) on the pin mount from your selected base option.
- d** Tighten the two pre-installed set screws with the 2.5 mm Allen Wrench (included with base) to secure the Adaptor to the base. The adaptor should be locked in place and not rotate.



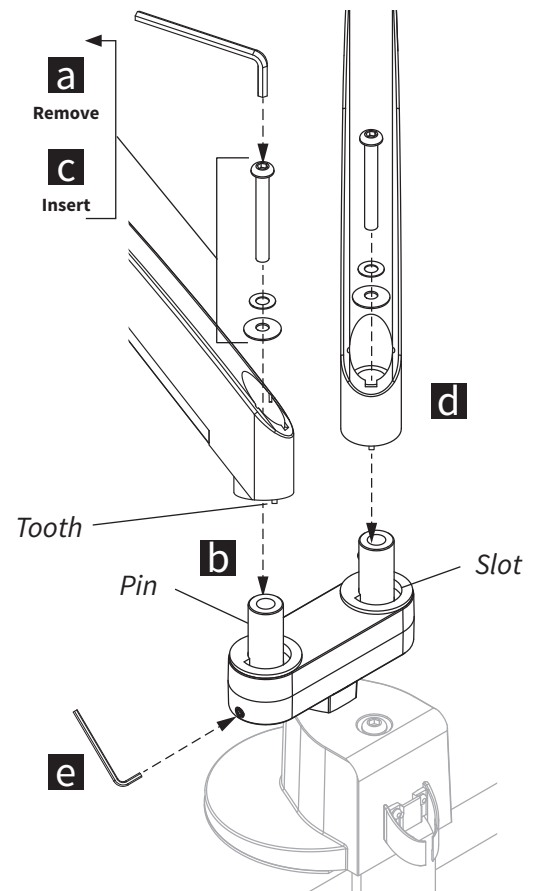
### Note:

If you are installing Articulating Arms, proceed to Step 2.  
If you are installing Static Arms, proceed to Step 3.

## 2 Attaching Conform Articulating Arms

- a** Remove the set of two M8 × 72 mm Bolts and Washers from the Dual Arm Adaptor.
- b** Place the Conform Arm on the Dual Arm Adaptor post. Align tooth in arm base with slot in Pivot Limiter. (Note: the slot always facing the back side).
- c** Insert the M8 × 72 mm Bolt with washers through the bottom of the arm assembly and into the Adaptor as shown. Tighten with 5 mm Allen Wrench (included with base). Be sure the arm is tight but rotates freely.
- d** Repeat for other arm.
- e** Once arms are attached, tighten installed set screws with 2.5 mm Allen Wrench (included with base) to fix Arms in place.

*Optional  
C-Clamp Base  
Shown*



## 3 Attaching Conform Static Arms

- a** Remove the set of two M8 × 72 mm Articulating Bolts and Washers from the Dual Arm Adaptor.
- b** Place Static Arms spacers (B).
- c** Insert the M8 × 72 mm Bolt with washers through the bottom of the arm assembly and into the Adaptor as shown. Tighten with 5 mm Allen Wrench (included with base). Be sure the arm is tight but rotates freely.
- d** Repeat for other arm.
- e** Once arms are attached, tighten installed set screws with 2.5 mm Allen Wrench (included with base) to fix Arms in place.

*Optional  
Wall Plate Base  
Shown*

