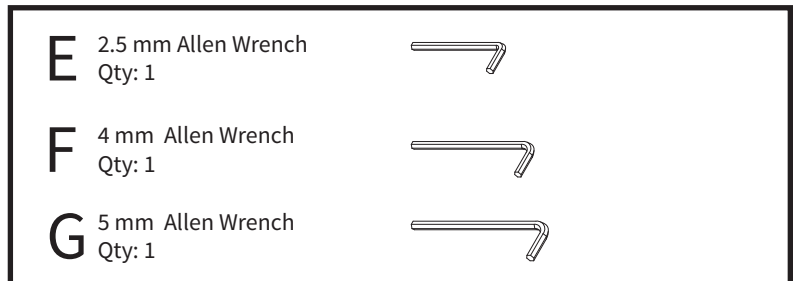
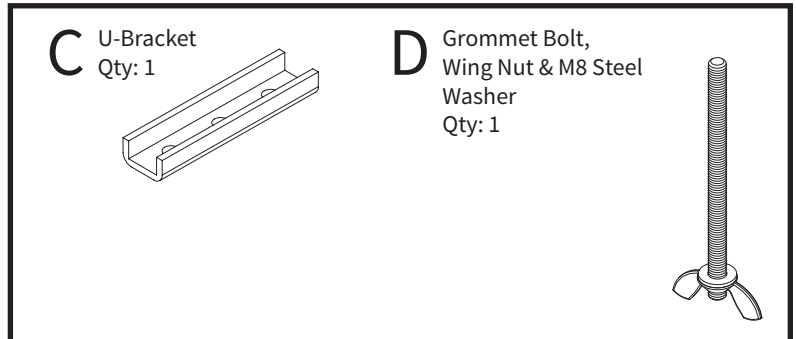
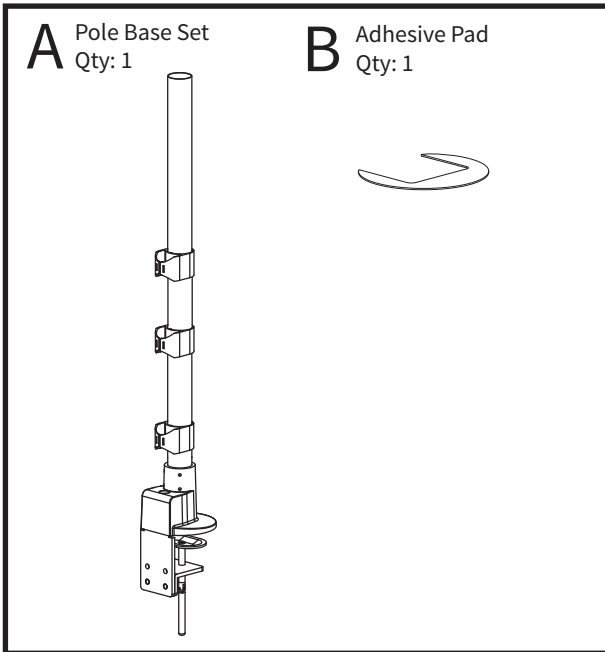


Assembly & Installation Instructions:  
Conform 28" Pole, HD C-Clamp & Grommet Base  
CONF-PB-28HDCCG-S

Parts Included



Required Parts Sold Separately

Conform Monitor Arm.

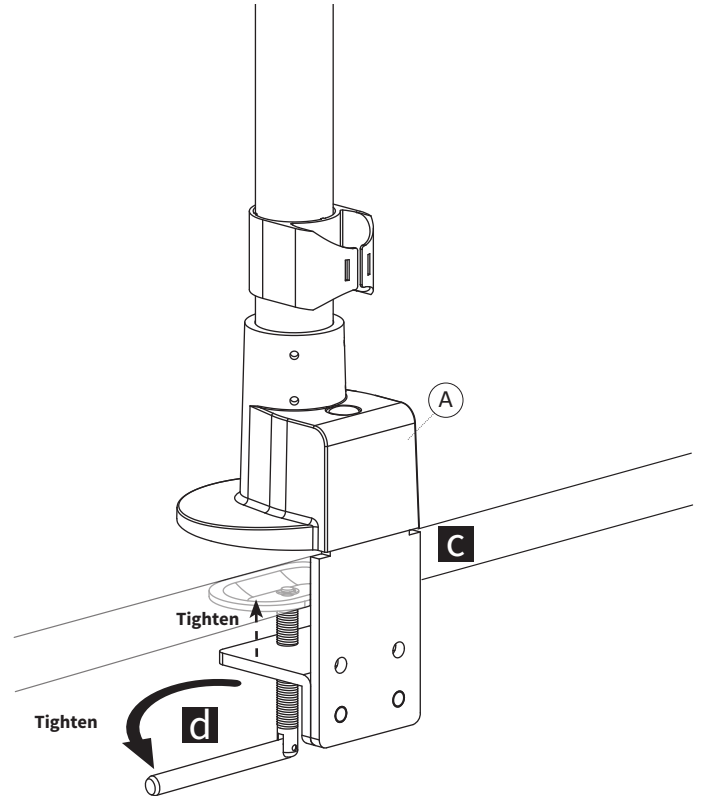
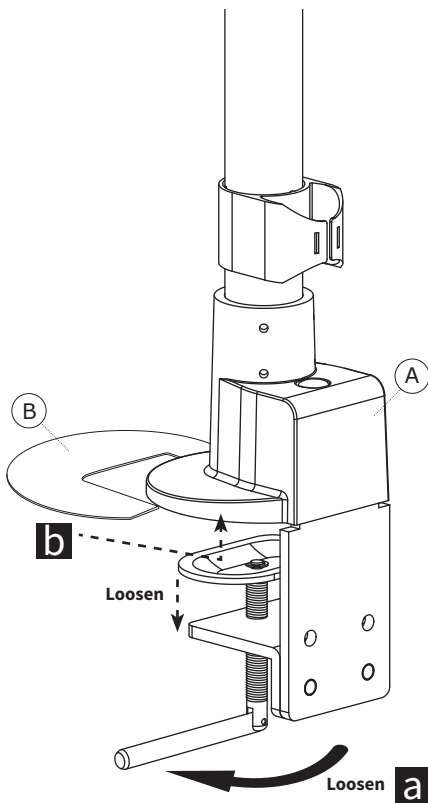
Tools Required

A Phillips head screwdriver and included Allen Wrenches.  
If a grommet mount hole is required, you'll need a drill and .375" bit.



# 1 C-Clamp Installation

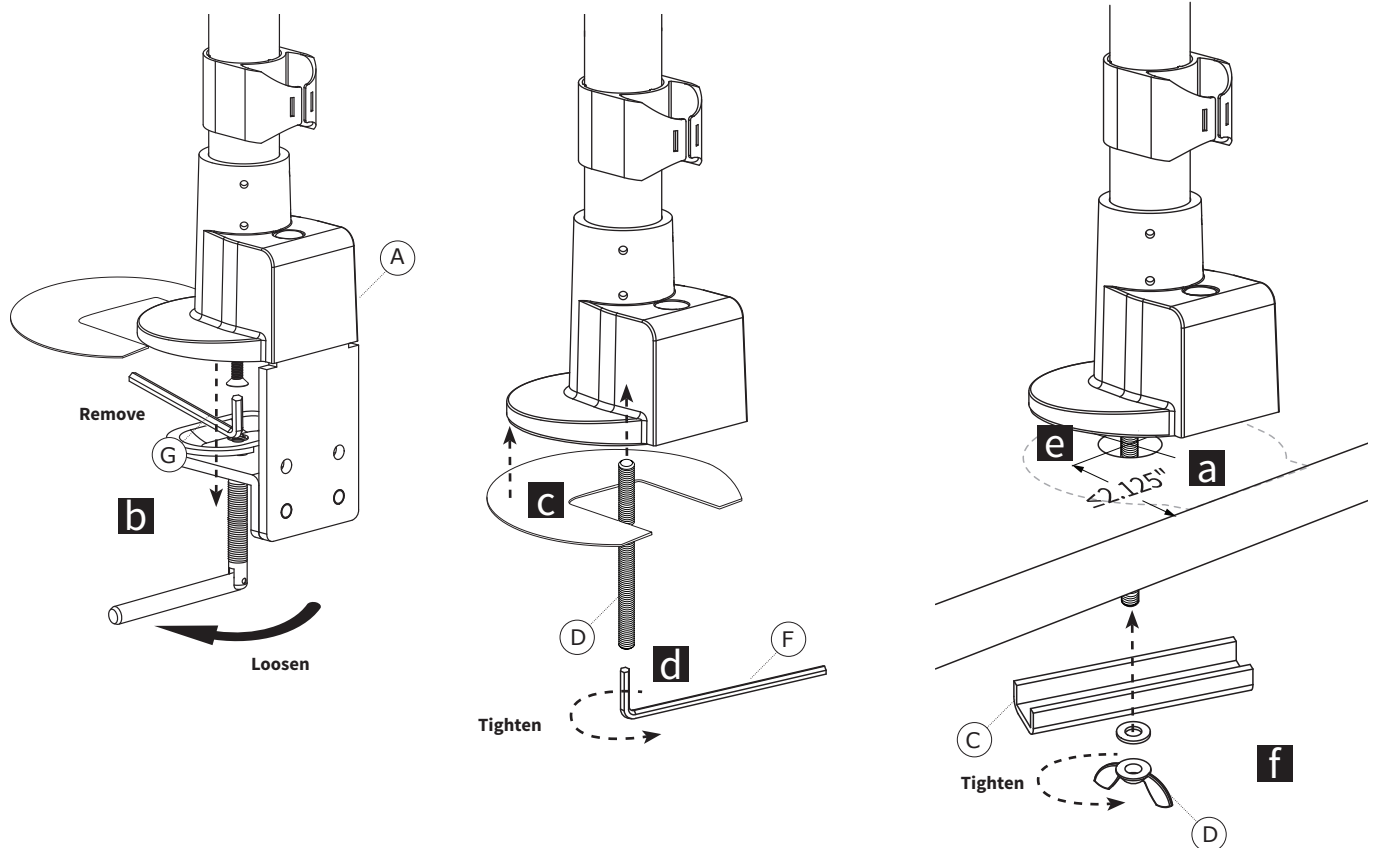
- a** Using C-Clamp handle, loosen the C-Clamp bolt on the Pole Base (A) wide enough to fit over the edge of the worksurface.
- b** Remove Adhesive Pad (B) backing. Apply the pad to the bottom surface of the base, adhesive side up, so that it aligns with the front edge of the base and sticks in place.
- c** Place C-Clamp over the rear edge of the worksurface.
- d** Tighten the clamp by turning the C-Clamp Bolt until secure.



## 2 Grommet Mount Installation

**Note:** A grommet hole or small hole is required in your worksurface to install the grommet mount.

- a** Drill a .375" hole in worksurface if needed. The minimum distance from the edge of the worksurface to the center of the grommet hole is 2.125". The grommet mount can accommodate existing grommet holes up to 3" in diameter.
- b** Using the C-Clamp handle, loosen the C-Clamp bolt on the Pole Base (A). Using 5 mm Allen Wrench (G), remove the Bolt from the underside of the Base in order to remove the entire C-Clamp in one piece.
- c** Remove the Adhesive Pad's backing. Apply the adhesive side to the bottom of the Desk Base, aligned with the front edge of Base, and stick in place.
- d** Insert Grommet Bolt (D) into the Pole Base (A). Tighten with 4 mm Allen Wrench (F).
- e** Insert the Grommet Bolt (D) through the grommet hole of worksurface. Make sure the mount does not overlap the edge of the worksurface.
- f** From under the worksurface, place the U-Bracket (C) onto the Grommet Bolt (D) then place the M8 Steel Washer (D) followed by the Wing Nut (D) onto the Bolt and tighten Wing Nut to secure the base to the desktop.



### 3 Ready for Arm Installation

You are now ready to attach your selected Conform Monitor Arms (sold separately).

