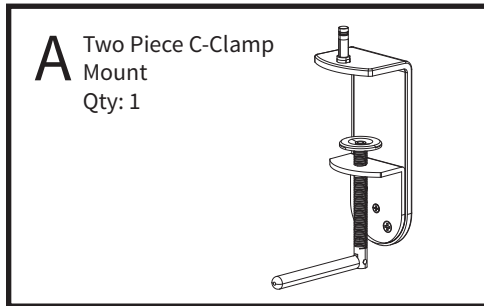


Installation Instructions: Desk Light Two Piece C-Clamp Mount LTG-CCB-TP-S

Parts Included



Tools Required

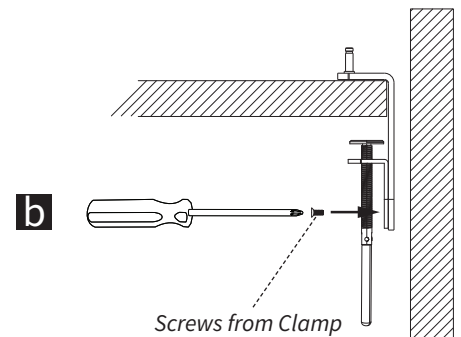
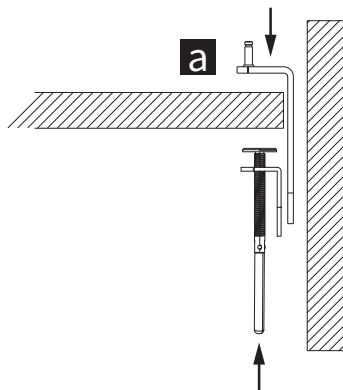
A Phillips head screwdriver is required to reassemble to panel system worksurfaces with minimal clearance on the mounting side and for final tightening prior to securing to Worksurface.

1 Disassembling & Reassembling for Installation Constraints

- a** Remove the base of the C-Clamp by removing the 2 Phillips head screws. This allows you to easily slide the clamp between the worksurface and the wall.

- b** Re-assemble the C-Clamp with the two Phillips head screws.

If clamp mounting access is not a problem, simply slide the assembled unit on to the worksurface. **Be sure to tighten the two Phillips head screws to secure the bottom clamp.**



2 Securing the mount to the work surface

Secure to Worksurface by turning clamp bolt counterclockwise (from top).

Consult the instructions that came with your light for additional installation instructions

