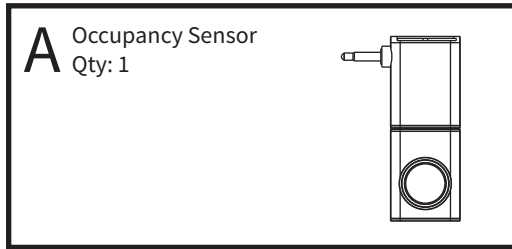


Installation Instructions: Desk Light Occupancy Sensor LTG-OCC-SWVL-X

Parts



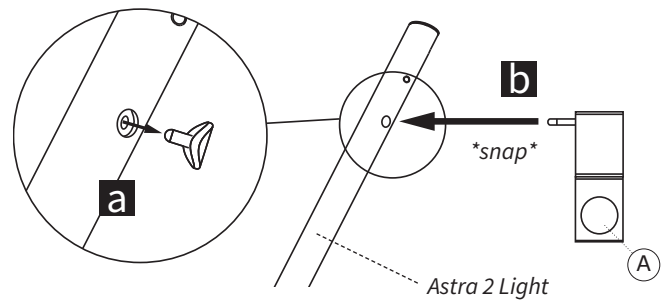
Required, Sold Separately



No tools are required to attach the Occupancy Sensor to your Workrite Astra 2 Lights.

1 Attach Occupancy Sensor

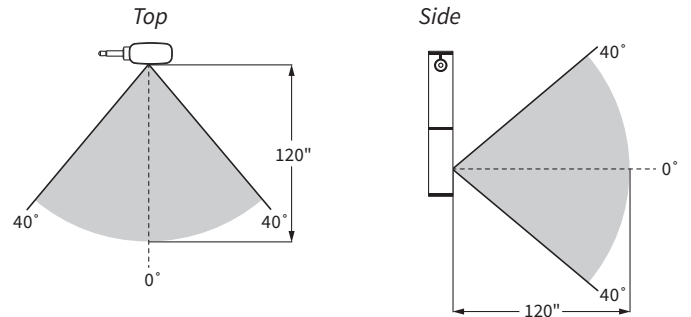
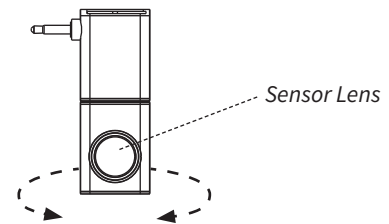
- a** Remove black plastic plug from the upper arm on Double Arm Astra 2 Models or from the lower portion of the arm on Astra 2 Single Models.
- b** Insert the Occupancy Sensor (A) into receptacle on arm until it snaps into place.



2 Rotate Sensor Lens to the Primary Usage Area

The sensor will detect heat and motion with in the corresponding area as shown in the illustration to the right.

If no motion is detected for 15 minutes, the light will automatically turn off until activity is returned to the area.



Sensor Range and Field of View